



RF Flange Two-piece Bolted Body, Full and Regular Port Ball Valve

1/2"~6" size, ASME Class 150/300/600 Full Port

3/4"~6" size, ASME Class 600 Regular Port

Double Seal at Stem and Body Connection

Fire safe Certified to API 607

Fugitive Emissions Certified to API 641

API 608 Compliance

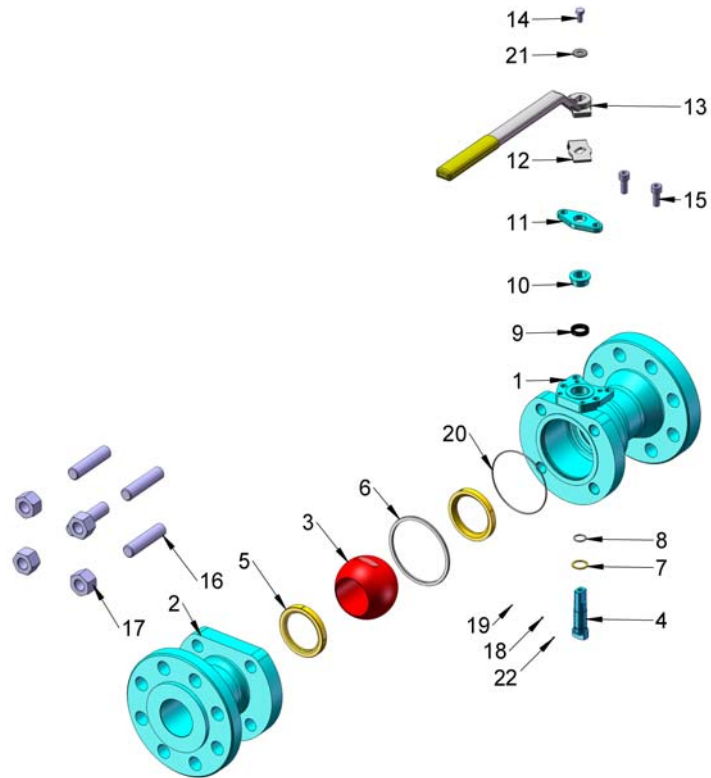
Standard ISO 5211 Mounting Pad

API 6D Monogrammed

Standard Locking Handle

Standard Anti-Static Device

Material to NACE MR0175 / ISO 15156



Bill of Materials:

ITEM	PART	STAINLESS STEEL	SOUR LOW TEMP (NACE)	SOUR (NACE)
1	BODY	ASTM A351 CF8M	ASTM A352 LCC	ASTM A216 WCB
2	END CAP	ASTM A351 CF8M	ASTM A352 LCC	ASTM A216 WCB
3	BALL	ASTM A351 CF8M	ASTM A351 CF8M	ASTM A351 CF8M
4	STEM	A564 630 1150D	A564 630 1150D	A564 630 1150D
☆ 5	SEAT	TFM	TFM	TFM
☆ 6	SPIRAL WOUND GASKET	316 + GRAPHITE	316 + GRAPHITE	316 + GRAPHITE
☆ 7	THRUST WASHER	TFM	TFM	TFM
☆ 8	STEM O-RING	VITON / HNBR	VITON GLT / HNBR	VITON / HNBR
☆ 9	PACKING	GRAPHITE	GRAPHITE	GRAPHITE
10	GLAND	304SS	CS	CS
11	GLAND FLANGE	ASTM A351 CF8	CS	CS
12	STOPPER	304SS	CS	CS
13	HANDLE	ASTM A351 CF8	CS	CS
14	HANDLE NUT / BOLT	304SS	CS	CS
15	CAP SCREWS	ASTM A320 L7M WITH ZINC PLATING	ASTM A320 L7M	ASTM A320 L7M
16	STUD	ASTM A320 L7M WITH ZINC PLATING	ASTM A320 L7M	ASTM A320 L7M
17	NUT	ASTM A194 7ML WITH ZINC PLATING	ASTM A194 7ML	ASTM A194 7ML
18	SPRING	304SS	304SS	304SS
19	ANTISTATIC BALL	304SS	304SS	304SS
☆ 20	BODY O-RING	VITON / HNBR	VITON GLT / HNBR	VITON / HNBR
21	PLAIN WASHER	304SS	C/S	C/S
22	SPRING	304SS	304SS	304SS

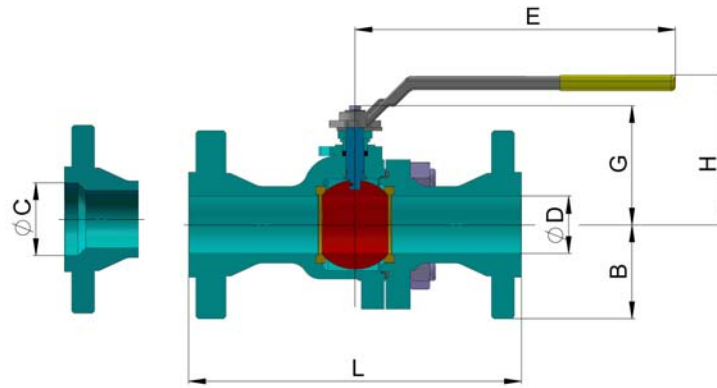
Note: ☆ Minor repair kit;





Crown - fusion

Series 324



Full Port Dimensions
Weights and Dimensions:

SIZE	CLASS / PN	D	L	B	G	H	E	Cv	WEIGHT
In / DN		In / mm	In / mm	In / mm	In / mm	In / mm	In / mm	gal / min	Kg / Lbs
1/2 / 15	150 / 20	0.50 / 12.7	4.25 / 108	1.75 / 45	1.88 / 48	3.69 / 94	6.30 / 160	26	1.7 / 3.7
	300 / 50	0.50 / 12.7	5.50 / 140	1.87 / 48	1.88 / 48	3.69 / 94	6.30 / 160	26	2.3 / 5.1
	600 / 100	0.50 / 12.7	6.50 / 165	1.87 / 48	1.88 / 48	3.69 / 94	6.30 / 160	26	3.0 / 6.6
3/4 / 20	150 / 20	0.75 / 19.05	4.62 / 117	1.93 / 49	2.15 / 55	3.98 / 101	6.30 / 160	61	2.3 / 5.1
	300 / 50	0.75 / 19.05	6.00 / 152	2.30 / 59	2.15 / 55	3.98 / 101	6.30 / 160	61	3.6 / 7.9
	600 / 100	0.75 / 19.05	7.50 / 190	2.30 / 59	2.15 / 55	3.98 / 101	6.30 / 160	61	5.0 / 11.0
1 / 25	150 / 20	1.00 / 25	5.00 / 127	2.13 / 54	2.83 / 72	4.19 / 106	7.09 / 180	110	3.3 / 7.3
	300 / 50	1.00 / 25	6.50 / 165	2.44 / 62	2.83 / 72	4.19 / 106	7.09 / 180	110	4.8 / 10.6
	600 / 100	1.00 / 25	8.50 / 216	2.44 / 62	2.83 / 72	4.19 / 106	7.09 / 180	110	6.5 / 14.3
1 1/2 / 40	150 / 20	1.50 / 38	6.50 / 165	2.50 / 64	3.72 / 94	4.76 / 121	11.02 / 280	260	7.0 / 15.4
	300 / 50	1.50 / 38	7.50 / 190	3.07 / 78	3.72 / 94	4.76 / 121	11.02 / 280	260	11.0 / 24.2
	600 / 100	1.50 / 38	9.50 / 241	3.07 / 78	3.72 / 94	4.76 / 121	11.02 / 280	260	14.0 / 30.8
2 / 50	150 / 20	2.00 / 50	7.00 / 178	2.99 / 76	4.06 / 103	5.12 / 130	11.02 / 280	480	9.1 / 20.0
	300 / 50	2.00 / 50	8.50 / 216	3.25 / 83	4.06 / 103	5.12 / 130	11.02 / 280	480	11.9 / 26.2
	600 / 100	2.00 / 50	11.50 / 292	3.25 / 83	4.06 / 103	5.12 / 130	11.02 / 280	480	16.0 / 35.2
2 1/2 / 65	150 / 20	2.50 / 63.5	7.50 / 191	3.50 / 89	5.02 / 128	6.26 / 159	14.17 / 360	800	13.0 / 28.6
	300 / 50	2.50 / 63.5	9.50 / 241	3.74 / 95	5.02 / 128	6.26 / 159	14.17 / 360	800	18.0 / 39.6
	600 / 100	2.50 / 63.5	13.00 / 330	3.74 / 95	5.18 / 132	6.59 / 168	14.17 / 360	800	28.0 / 61.6
3 / 80	150 / 20	3.00 / 76.2	8.00 / 203	3.75 / 95	5.40 / 137	6.65 / 169	14.17 / 360	1150	17.5 / 38.5
	300 / 50	3.00 / 76.2	11.14 / 283	4.13 / 105	5.41 / 138	6.65 / 169	14.17 / 360	1150	28.0 / 61.6
	600 / 100	3.00 / 76.2	14.00 / 356	4.13 / 105	5.87 / 149	6.97 / 177	14.17 / 360	1150	36.0 / 79.2
4 / 100	150 / 20	3.94 / 100	9.00 / 229	4.51 / 115	7.26 / 185	7.87 / 200	17.72 / 450	2110	36.0 / 79.2
	300 / 50	3.94 / 100	12.00 / 305	5.00 / 127	7.26 / 185	7.87 / 200	17.72 / 450	2110	50.0 / 110.0
	600 / 100	3.94 / 100	17.00 / 432	5.37 / 137	7.66 / 195	8.38 / 213	17.72 / 450	2110	73.5 / 161.7
6 / 150	150 / 20	5.94 / 150.8	15.50 / 394	5.51 / 140	9.25 / 235	10.64 / 270	37.40 / 950	5070	52.0 / 114.4
	300 / 50	5.94 / 150.8	15.88 / 403	6.30 / 160	9.25 / 235	10.64 / 270	37.40 / 950	5070	85.0 / 187.0
	600 / 100	5.94 / 150.8	22.00 / 559	6.99 / 178	/	13.46 / 342	Ø15.75 / Ø400	5070	120.0 / 264.0

Note: 1. "L" DIMENSION ±0.06in. / 1.5mm 2. 6" CL600 using the gear box

Regular Port Dimensions
Weights and Dimensions:

SIZE	CLASS / PN	D	C	L	B	G	H	E	Cv	WEIGHT
In / DN		In / mm	In / mm	In / mm	In / mm	In / mm	In / mm	In / mm	gal / min	Kg / Lbs
3/4 / 20	600 / 100	0.50 / 12.7	0.75 / 19.05	7.50 / 190	2.31 / 59	1.88 / 48	3.69 / 94	6.30 / 160	10	4.5 / 9.9
1 / 25	600 / 100	0.75 / 19.05	1.00 / 25	8.50 / 216	2.44 / 62	2.15 / 55	3.98 / 101	6.30 / 160	27	6.0 / 13.2
1 1/2 / 40	600 / 100	1.00 / 25	1.50 / 38	9.50 / 241	3.06 / 78	2.83 / 72	4.19 / 106	7.09 / 180	96	9.5 / 20.9
2 / 50	600 / 100	1.50 / 38	2.00 / 50	11.50 / 292	3.25 / 83	3.72 / 94	4.76 / 121	11.02 / 280	110	13.5 / 29.7
2 1/2 / 65	600 / 100	2.00 / 50	2.50 / 63.5	13.00 / 330	3.75 / 95	4.06 / 103	5.12 / 130	11.02 / 280	220	22.0 / 48.4
3 / 80	600 / 100	2.50 / 63.5	3.00 / 76.2	14.00 / 356	4.13 / 105	5.18 / 132	6.59 / 168	14.17 / 360	390	32.0 / 70.4
4 / 100	600 / 100	3.00 / 76.2	3.94 / 100	17.00 / 432	5.38 / 137	5.87 / 149	6.97 / 177	14.17 / 360	450	54.0 / 118.8
6 / 150	600 / 100	3.94 / 100	5.94 / 150.8	22.00 / 559	6.99 / 178	7.66 / 195	8.38 / 213	17.72 / 450	640	95.0 / 209

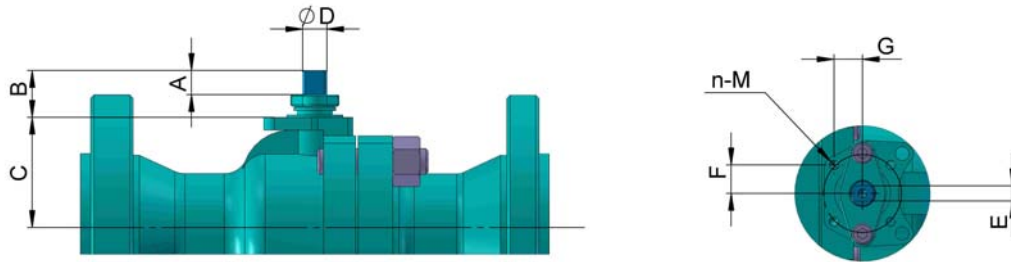
Note: 1. "L" DIMENSION ±0.06in. / 1.5mm





Crown - fusion

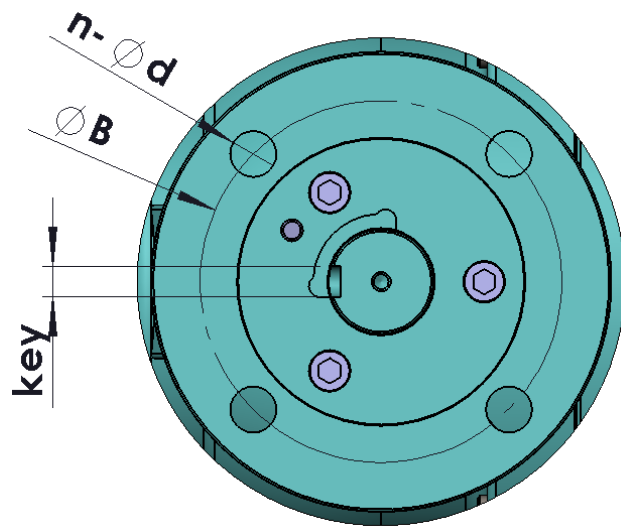
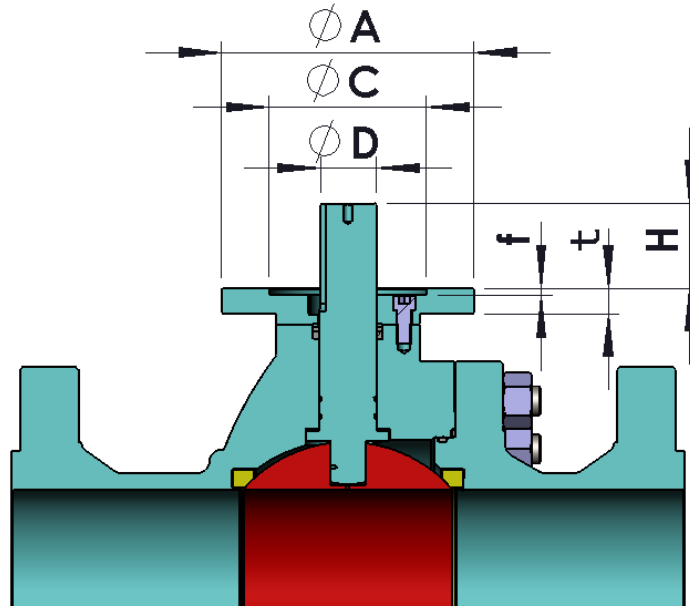
Series 324



Actuator Mounting Dimensions:

SIZE	CLASS	BORE	A	B	C	D	E (FLAT)	F	G	n-M	ISO
In / DN			In / mm	In / mm	In / mm	In / mm	In / mm	In / mm	In / mm	mm	5211
1/2 / 15	150, 300, 600	FP	0.45 / 11.5	0.86 / 21.8	1.02 / 26	0.35 / 9	0.20 / 5	0.39 / 9.9	0.39 / 9.9	4-M5X5 DEEP	-
3/4 / 20	150, 300, 600	FP	0.45 / 11.5	0.87 / 22.1	1.28 / 32.5	0.35 / 9	0.20 / 5	0.50 / 12.7	0.50 / 12.7	4-M5X6 DEEP	F03
	150, 300, 600	RP	0.45 / 11.5	0.86 / 21.8	1.02 / 26	0.35 / 9	0.20 / 5	0.39 / 9.9	0.39 / 9.9	4-M5X5 DEEP	-
1 / 25	150, 300, 600	FP	0.57 / 14.5	1.07 / 27.1	1.77 / 45	0.39 / 10	0.24 / 6	0.58 / 14.9	0.58 / 14.9	4-M5X8 DEEP	F04
	150, 300, 600	RP	0.45 / 11.5	0.87 / 22	1.28 / 32.5	0.35 / 9	0.20 / 5	0.50 / 12.7	0.50 / 12.7	4-M5X6 DEEP	F03
1 1/2 / 40	150, 300, 600	FP	0.59 / 15	1.15 / 29.3	2.34 / 59.5	0.59 / 15	0.37 / 9.5	0.70 / 17.7	0.70 / 17.7	4-M6	F05
	150, 300, 600	RP	0.57 / 14.5	1.07 / 27.1	1.77 / 44.9	0.39 / 10	0.24 / 6	0.58 / 14.9	0.58 / 14.6	4-M5	F04
2 / 50	150, 600	FP	0.59 / 15	1.15 / 29.1	2.70 / 68.5	0.59 / 15	0.37 / 9.5	0.70 / 17.7	0.70 / 17.7	4-M6X8 DEEP	F05
	300	FP	0.59 / 15	1.17 / 29.6	2.67 / 68	0.59 / 15	0.37 / 9.5	0.70 / 17.7	0.70 / 17.7	4-M6X8 DEEP	F05
	150, 300, 600	RP	0.59 / 15	1.15 / 29.3	2.34 / 59.5	0.59 / 15	0.37 / 9.5	0.70 / 17.7	0.70 / 17.7	4-M6X8 DEEP	F05
2 1/2 / 65	150, 300	FP	0.81 / 20.5	1.63 / 41.3	3.11 / 79	0.71 / 18	0.47 / 12	0.97 / 24.8	0.97 / 24.8	4-M8X10 DEEP	F07
	600	FP	0.81 / 20.5	1.63 / 41.3	3.50 / 89	0.87 / 22	0.59 / 15	0.97 / 24.8	0.97 / 24.8	4-M8X10 DEEP	F07
	150, 300, 600	RP	0.59 / 15	1.15 / 29.1	2.70 / 68.5	0.59 / 15	0.37 / 9.5	0.70 / 17.7	0.70 / 17.7	4-M6	F05
3 / 80	150	FP	0.81 / 20.5	1.57 / 40	3.54 / 90	0.71 / 18	0.47 / 12	0.97 / 24.8	0.97 / 24.8	4-M8X10 DEEP	F07
	300	FP	0.81 / 20.5	1.58 / 40.2	3.54 / 90	0.87 / 22	0.59 / 15	0.97 / 24.8	0.97 / 24.8	4-M8X10 DEEP	F07
	600	FP	0.81 / 20.5	1.58 / 40.2	3.94 / 100	0.87 / 22	0.59 / 15	0.97 / 24.8	0.97 / 24.8	4-M8X10 DEEP	F07
	150, 300	RP	0.81 / 20.5	1.63 / 41.3	3.11 / 79	0.71 / 18	0.47 / 12	0.97 / 24.8	0.97 / 24.8	4-M8X10 DEEP	F07
	600	RP	0.81 / 20.5	1.63 / 41.5	3.50 / 89	0.87 / 22	0.59 / 15	0.97 / 24.8	0.97 / 24.8	4-M8X9 DEEP	F07
4 / 100	150, 300	FP	1.10 / 28	2.09 / 53	4.76 / 121	1.42 / 36	0.94 / 24	1.42 / 36.1	1.42 / 36.1	4-M10X10 DEEP	F10
	600	FP	1.10 / 28	2.09 / 53	5.16 / 131	1.42 / 36	0.94 / 24	1.42 / 36.1	1.42 / 36.1	4-M10X10 DEEP	F10
	150	RP	0.81 / 20.5	1.57 / 40	3.54 / 90	0.71 / 18	0.47 / 12	0.97 / 24.8	0.97 / 24.8	4-M8X10 DEEP	F07
	300	RP	0.81 / 20.5	1.58 / 40.2	3.54 / 90	0.87 / 22	0.59 / 15	0.97 / 24.8	0.97 / 24.8	4-M8X10 DEEP	F07
	600	RP	0.81 / 20.5	1.58 / 40.2	3.94 / 100	0.87 / 22	0.59 / 15	0.97 / 24.8	0.97 / 24.8	4-M8X10 DEEP	F07
6 / 150	150, 300	FP	1.06 / 27	2.05 / 52	6.30 / 160	1.42 / 36	0.94 / 24	1.74 / 44.2	1.74 / 44.2	4-M12	F12
	150, 300	RP	1.10 / 28	2.09 / 53	4.76 / 121	1.42 / 36	0.94 / 24	1.42 / 36.1	1.42 / 36.1	4-M10X10 DEEP	F10
	600	RP	1.10 / 28	2.09 / 53	5.16 / 131	1.42 / 36	0.94 / 24	1.42 / 36.1	1.42 / 36.1	4-M10X10 DEEP	F10





Actuator Mounting Dimensions:

SIZE	CLASS	BORE	A	B	C	D	f	t	n-∅d	H	Key	ISO
In / DN			In / mm	In / mm	In / mm	In / mm	In / mm	In / mm	In / mm	In / mm	mm	5211
6 / 150	600	FP	8.27 / 210.0	6.50 / 165	5.14 / 130.5	1.88 / 47.8	0.22 / 5.5	0.83 / 21	4-0.83 / 4-21	2.78 / 70.5	0.55 / 14	F16

Due to continuous development of our products, we reserve the right to modify our product design or construction without prior notice.

